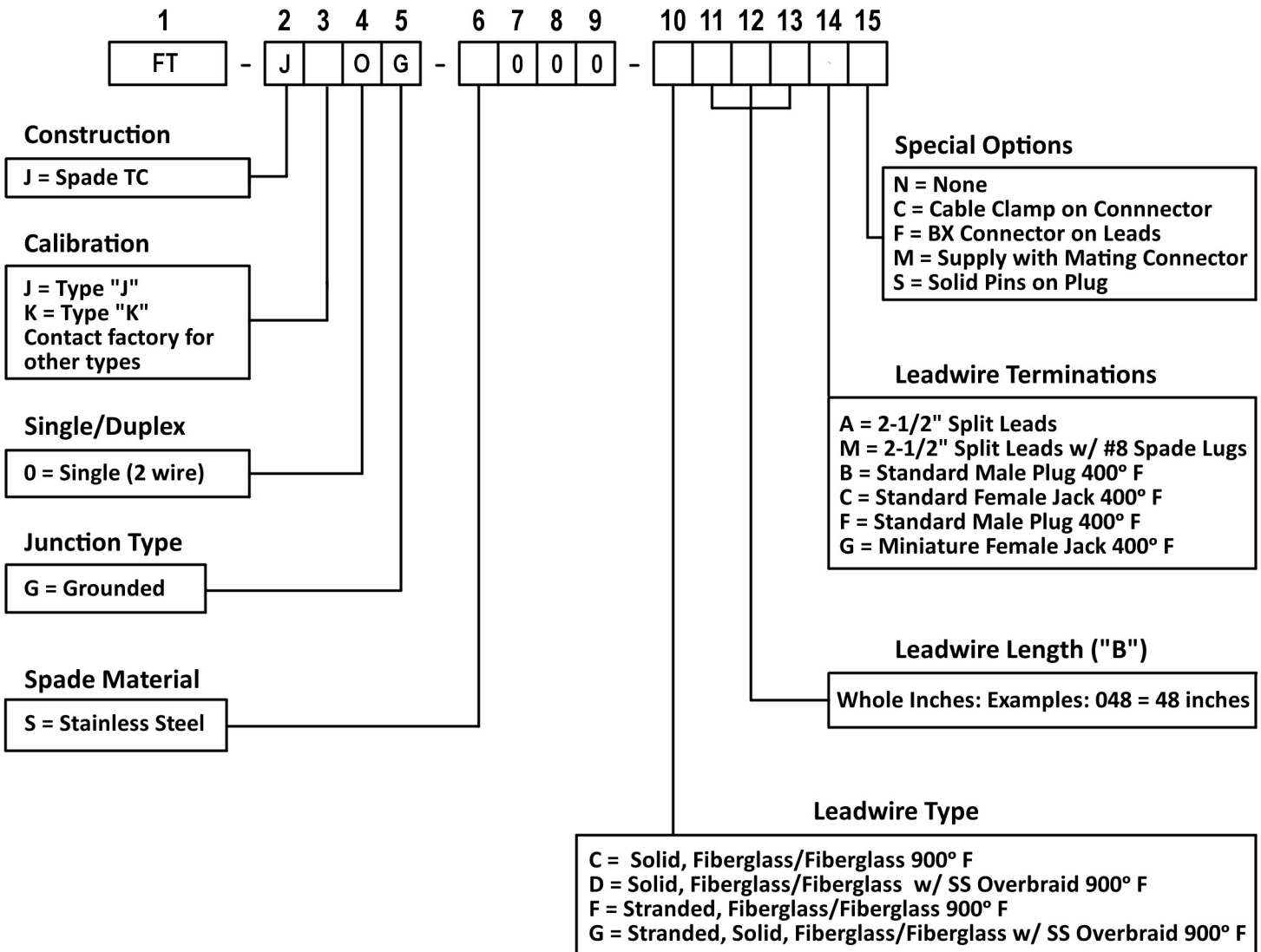
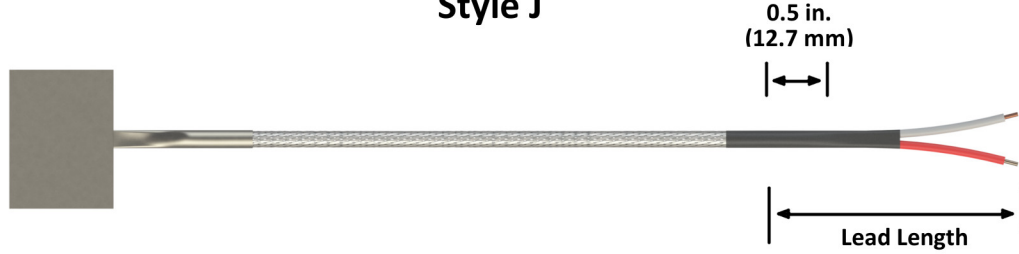




Spade/Shim Thermocouple

Style J



Note: These assemblies are generally constructed with 20 gauge wire. Consult Sales for ungrounded style Thermocouples.